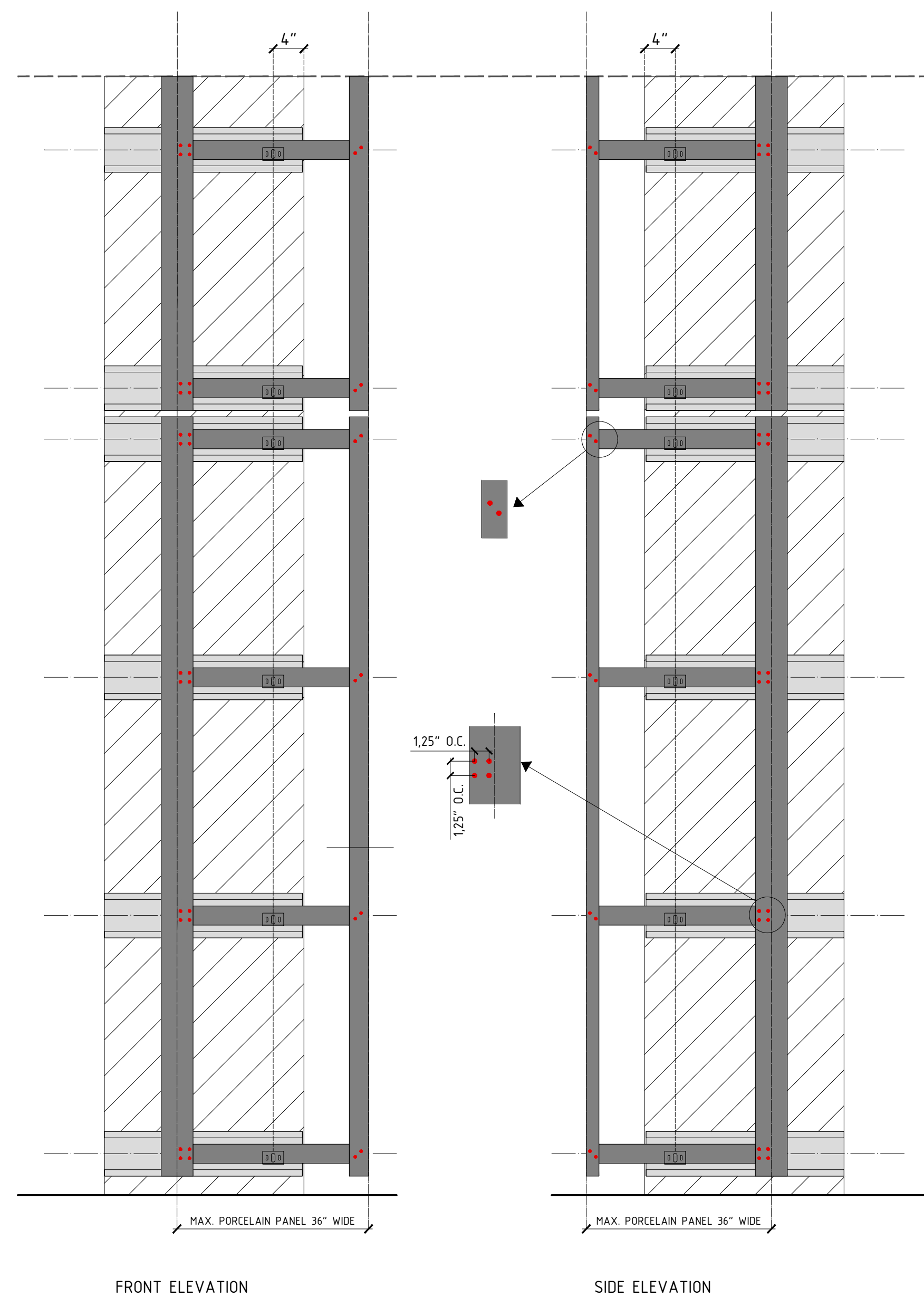


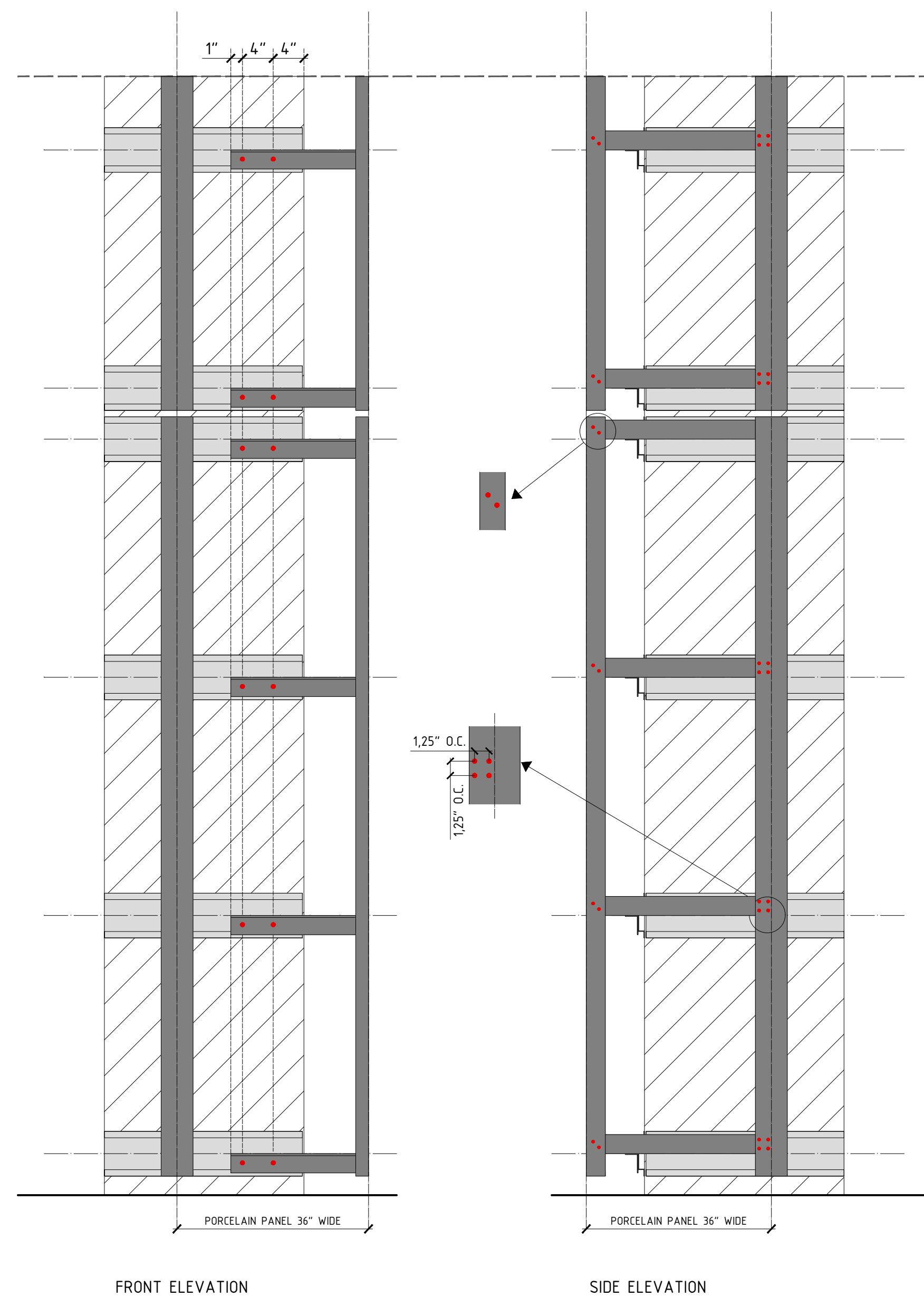
STUD WALL TYPE 1 CORNER SOLUTION

•RECOMMENDED METHOD FOR FOR LOW RISE BUILDINGS
 •CORNER SOLUTION CAN VARY FROM ORIGINAL SOLUTION FOR EACH PROJECT. PLEASE REFER TO PROJECT SUBSTRUCTURE DRAWINGS. IF NOT NOTED, FOLLOW THIS.



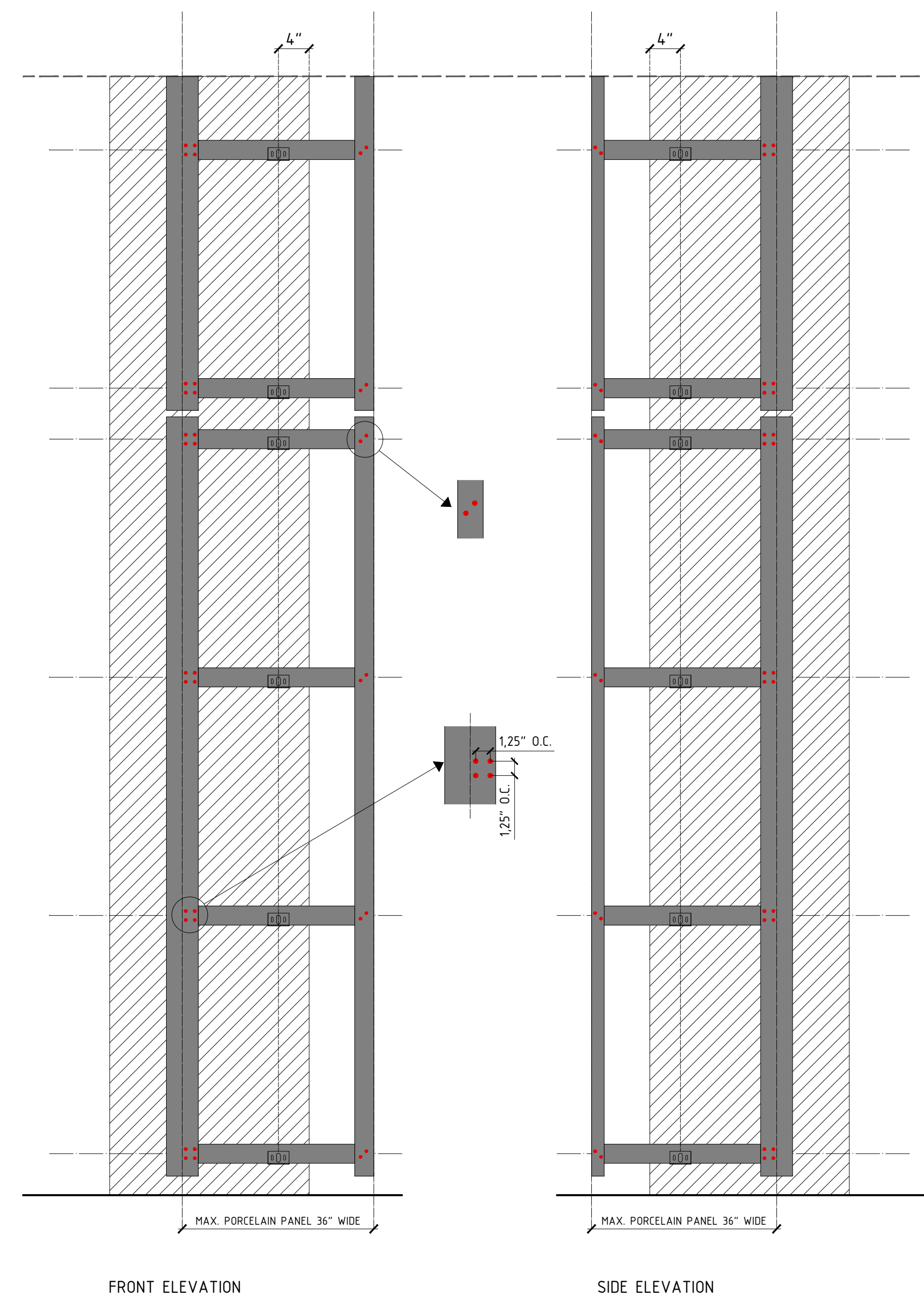
STUD WALL TYPE 2 CORNER SOLUTION

•RECOMMENDED METHOD FOR HIGH RISE BUILDINGS & FOR SEISMIC ZONES
 •CORNER SOLUTION CAN VARY FROM ORIGINAL SOLUTION FOR EACH PROJECT. PLEASE REFER TO PROJECT SUBSTRUCTURE DRAWINGS. IF NOT NOTED, FOLLOW THIS.



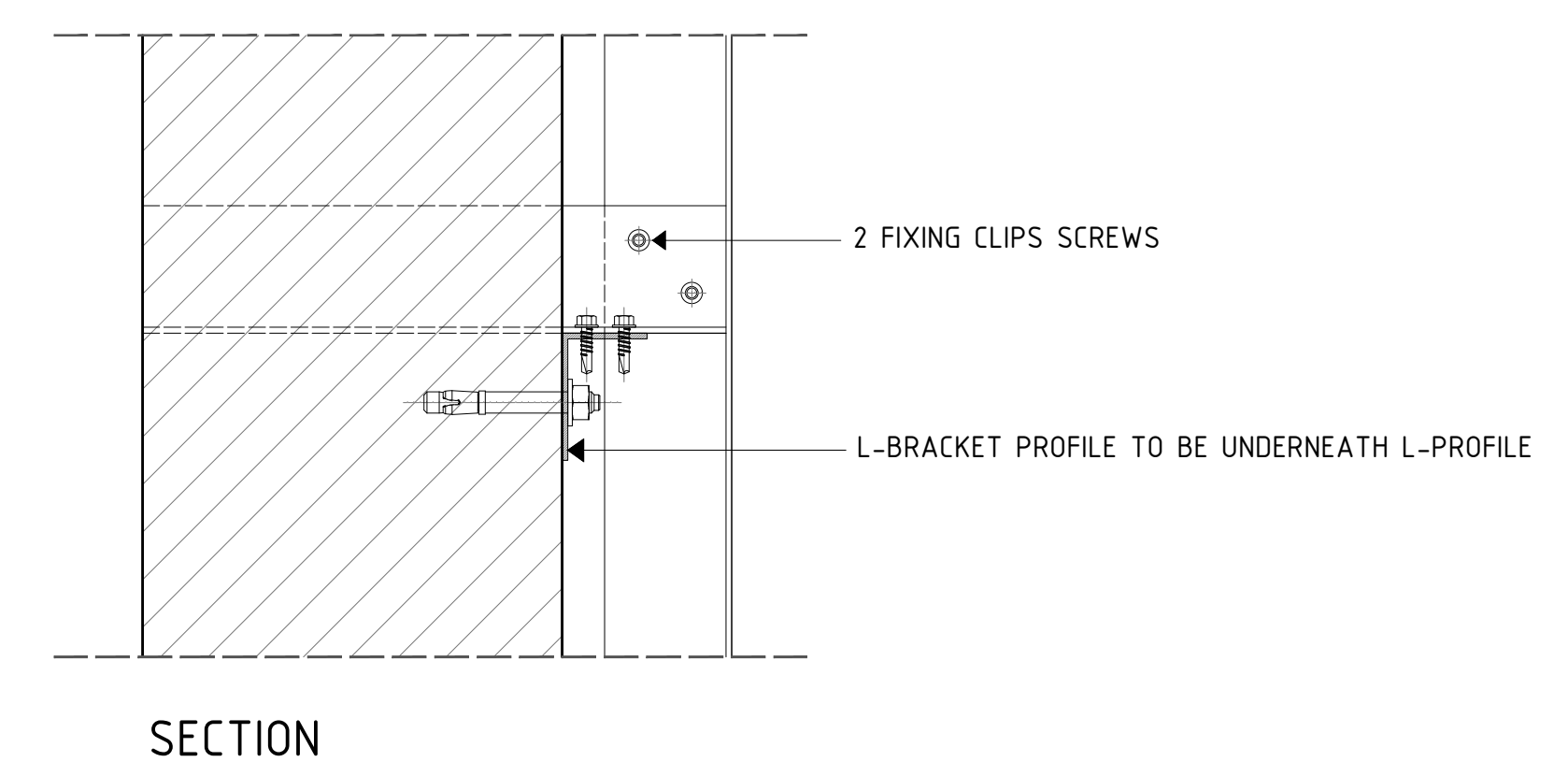
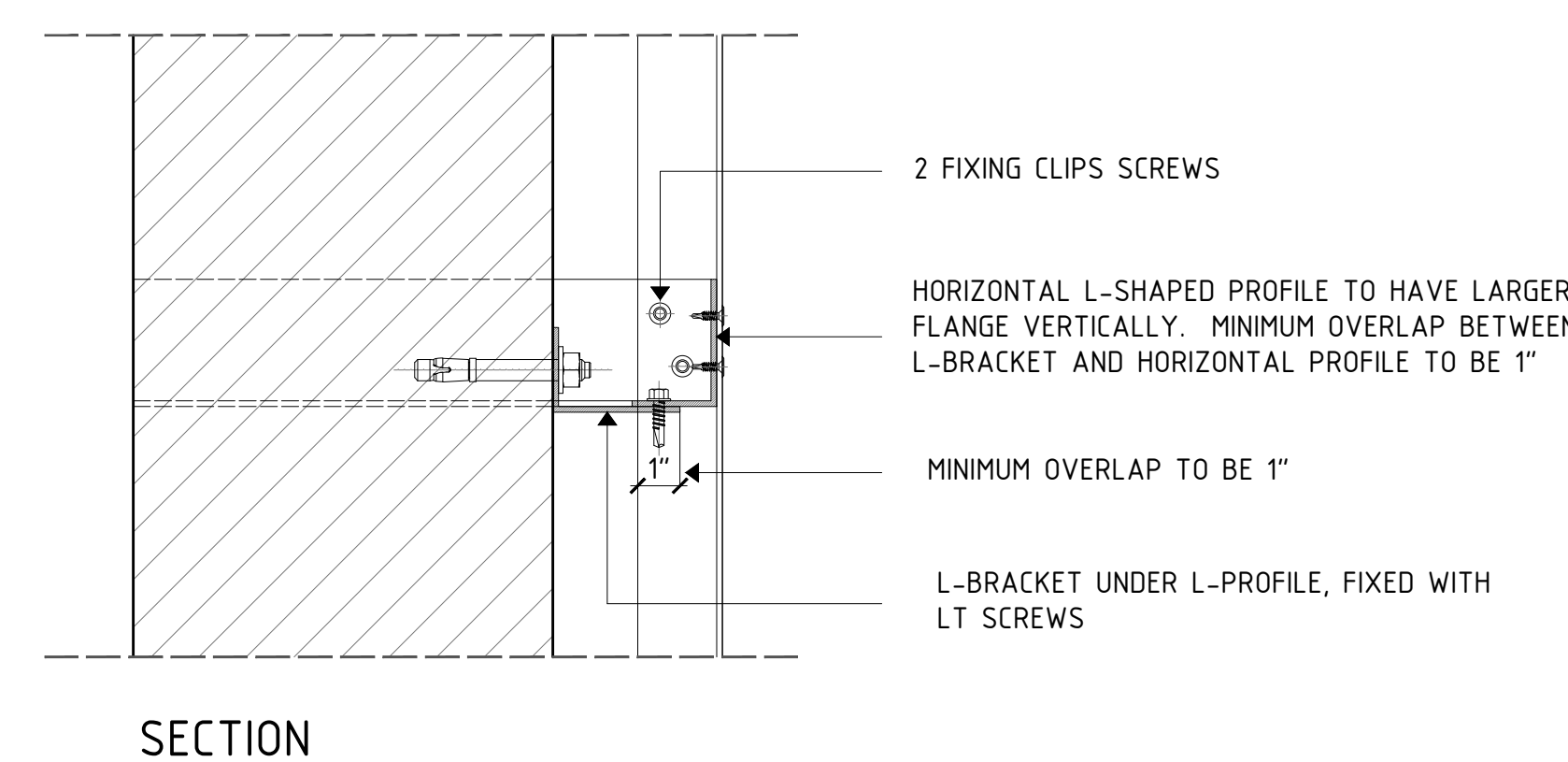
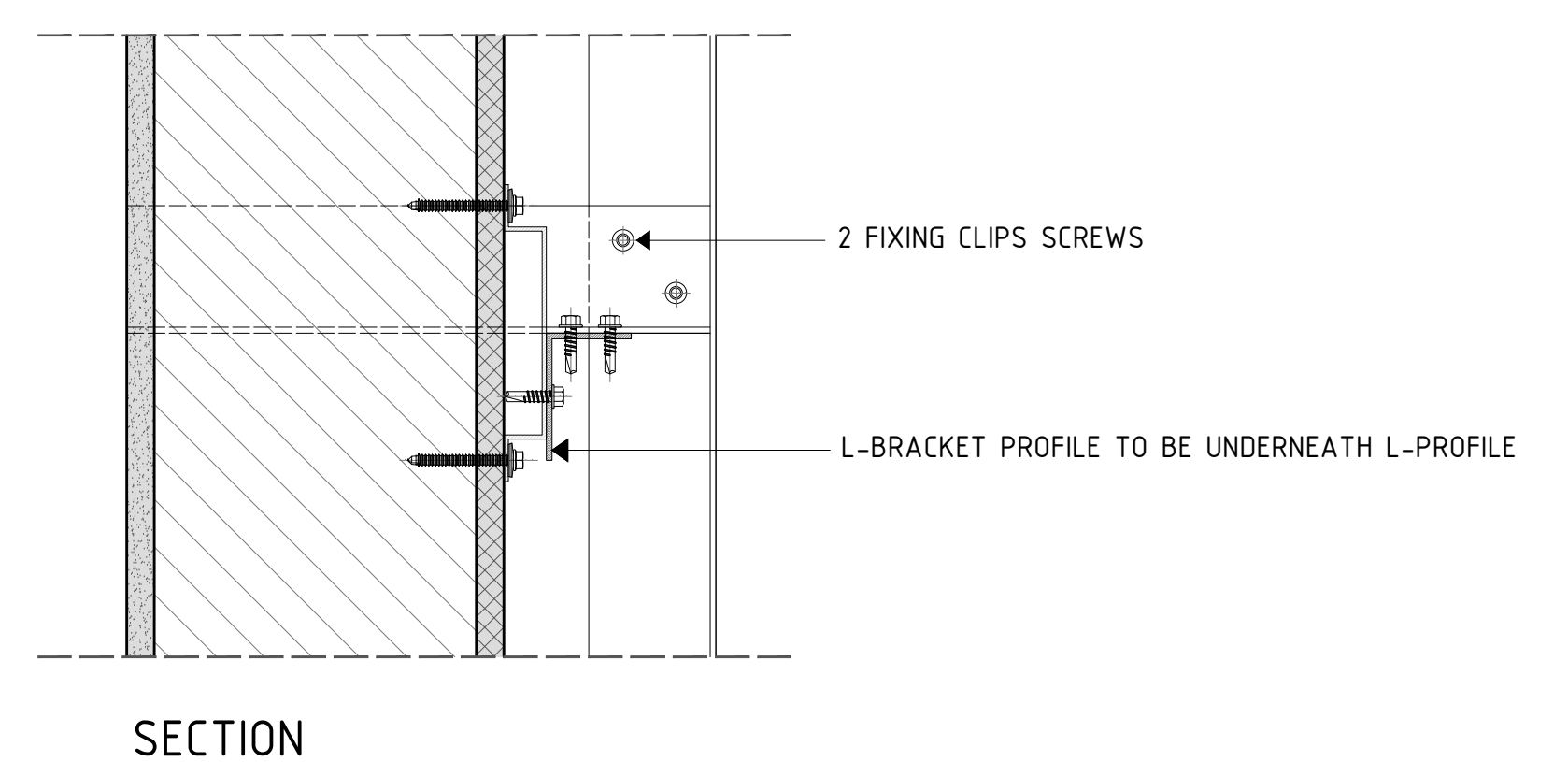
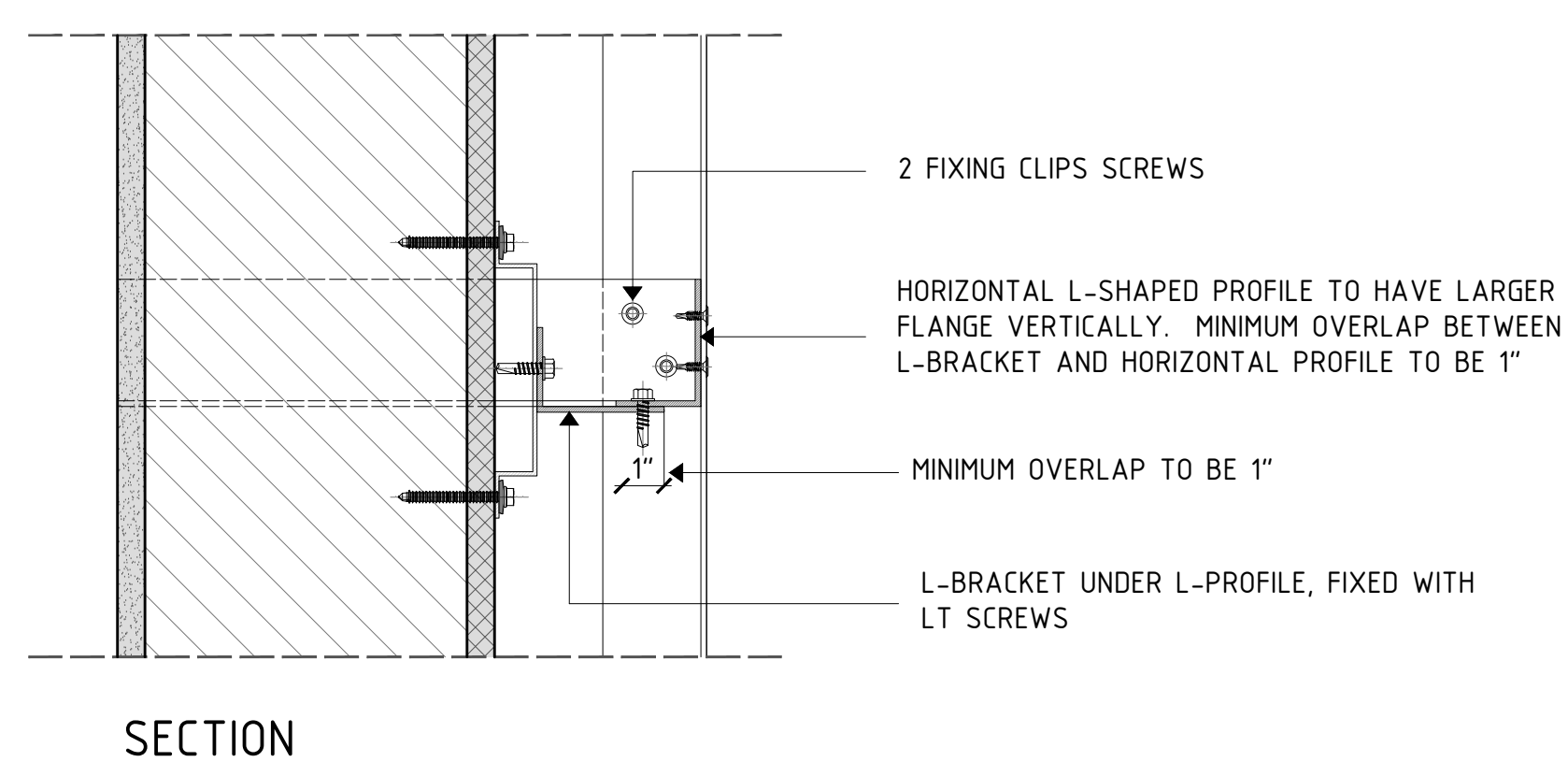
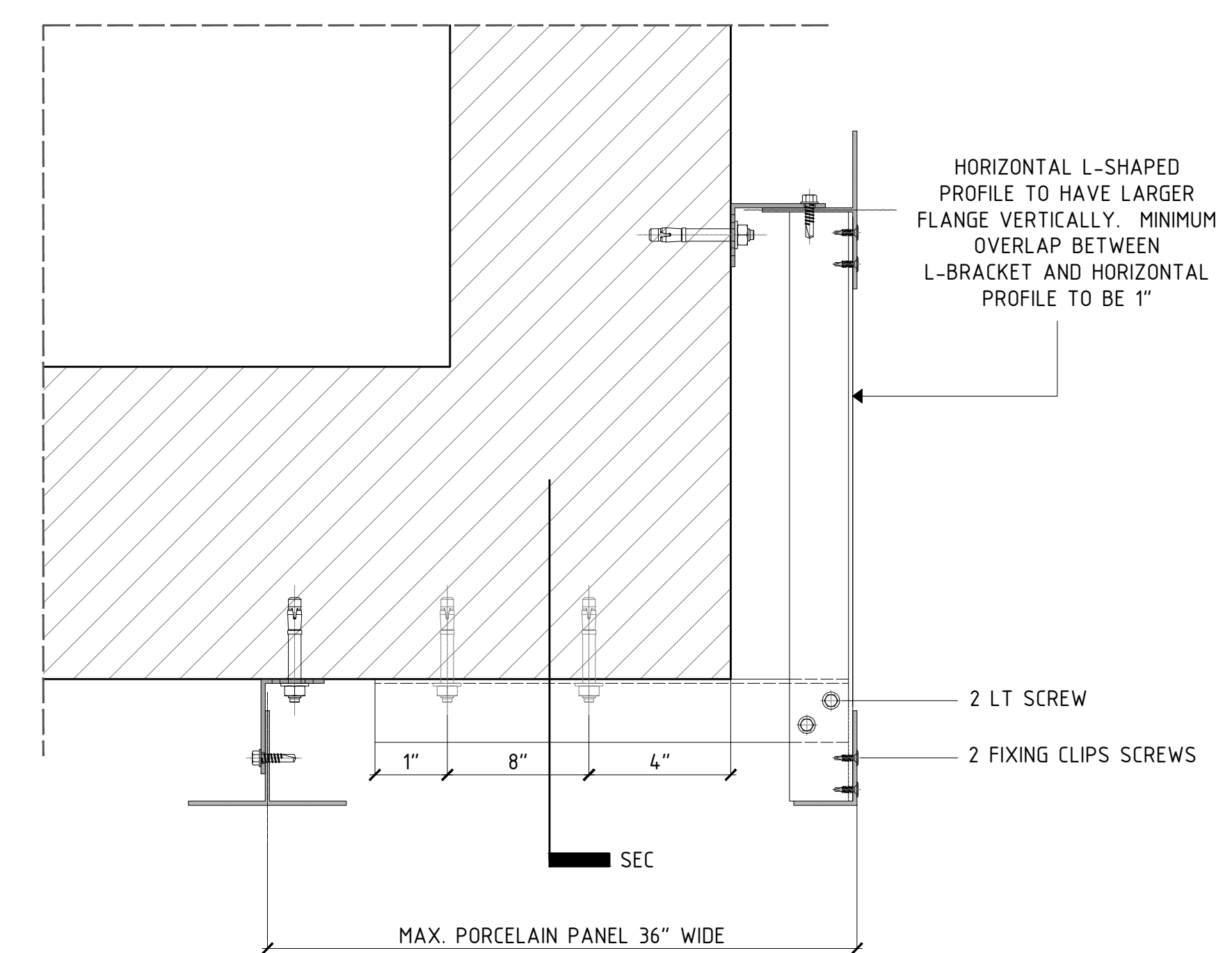
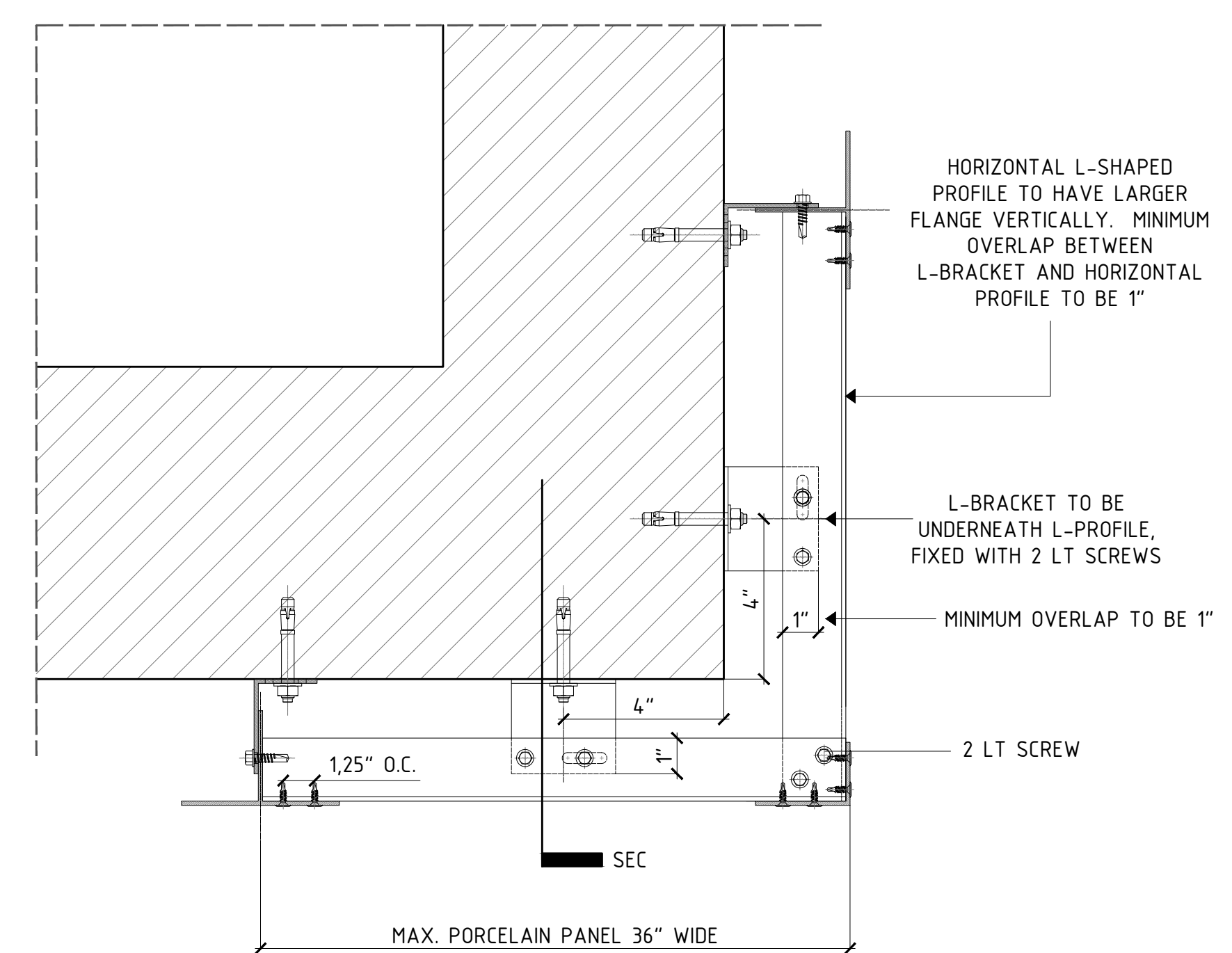
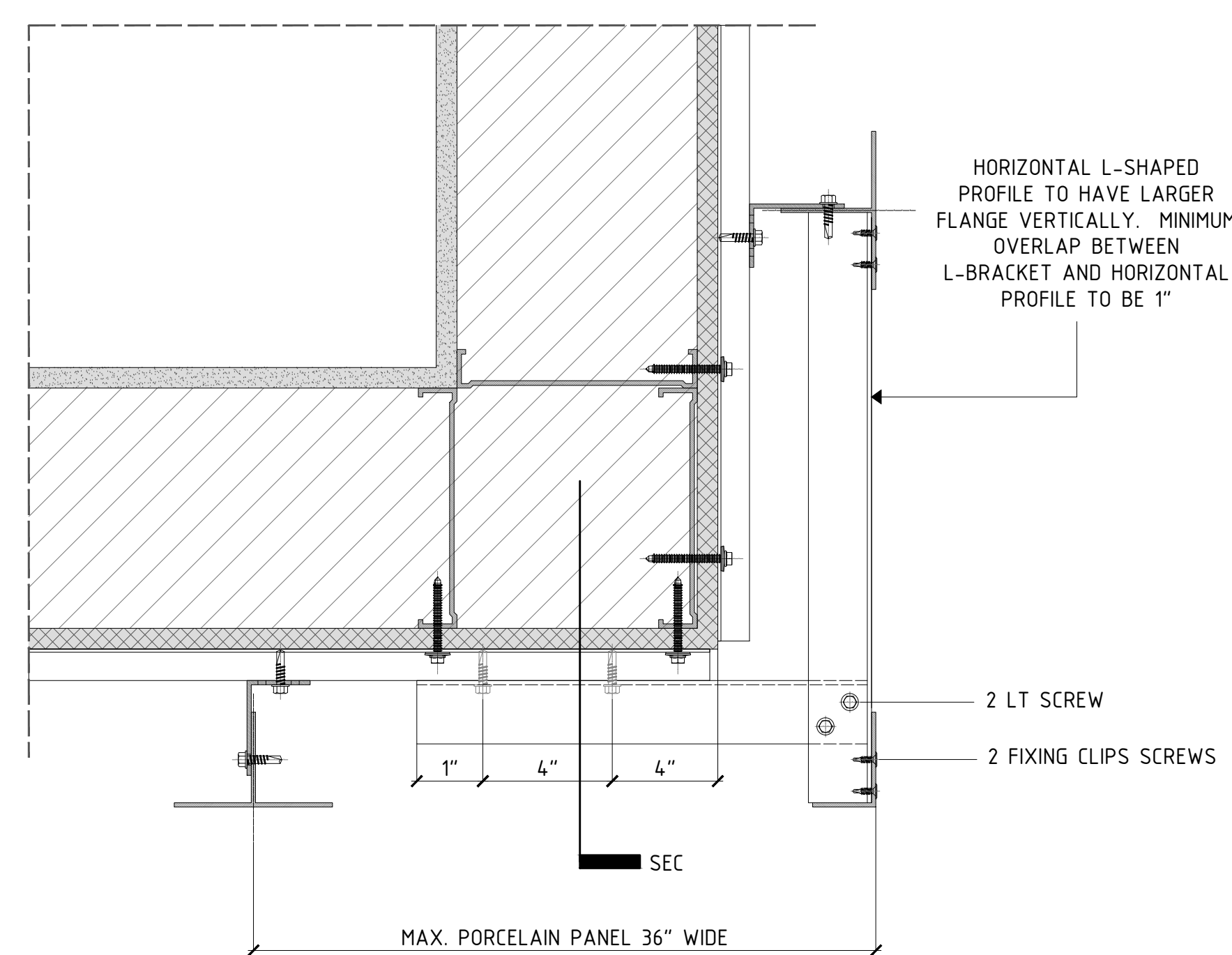
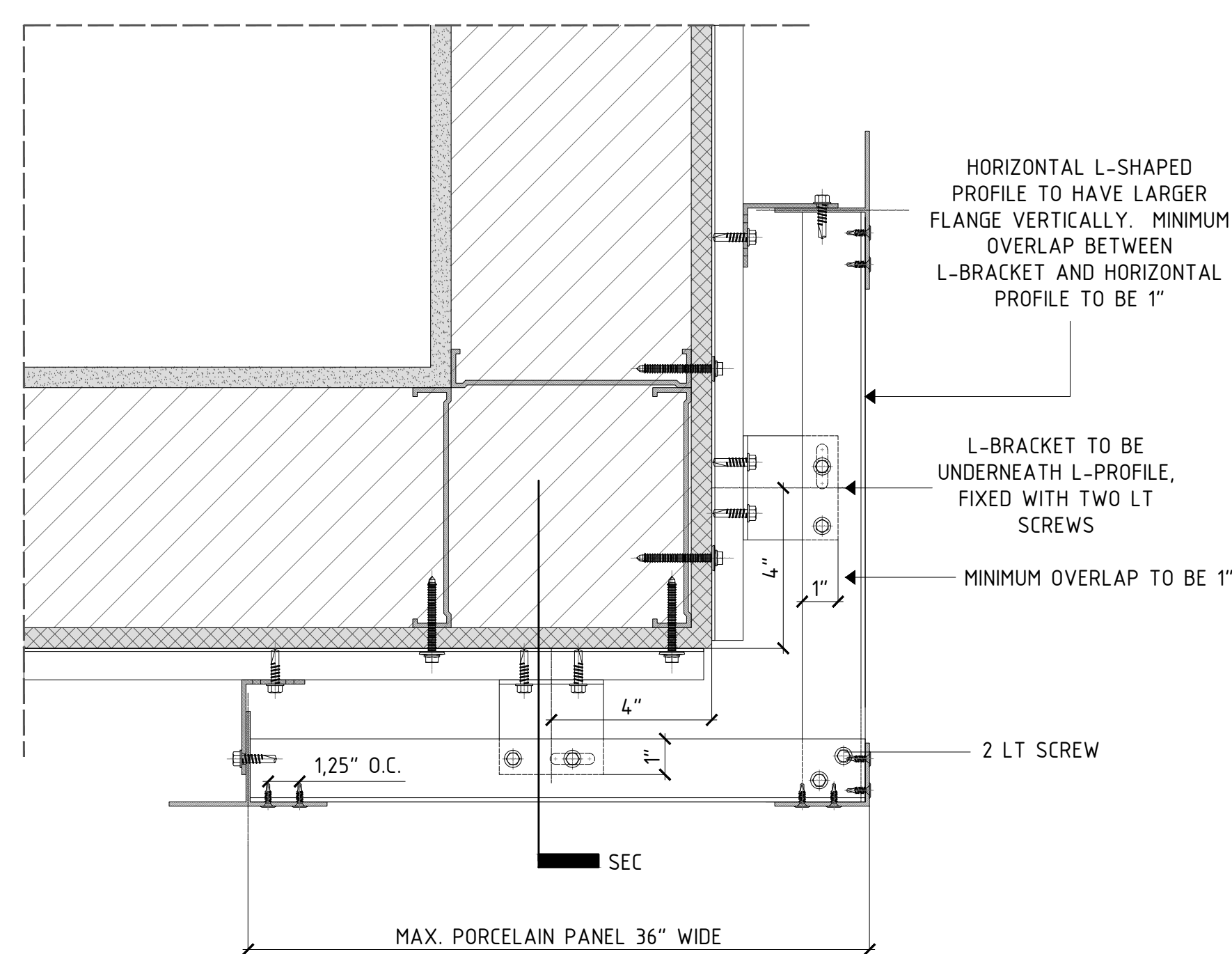
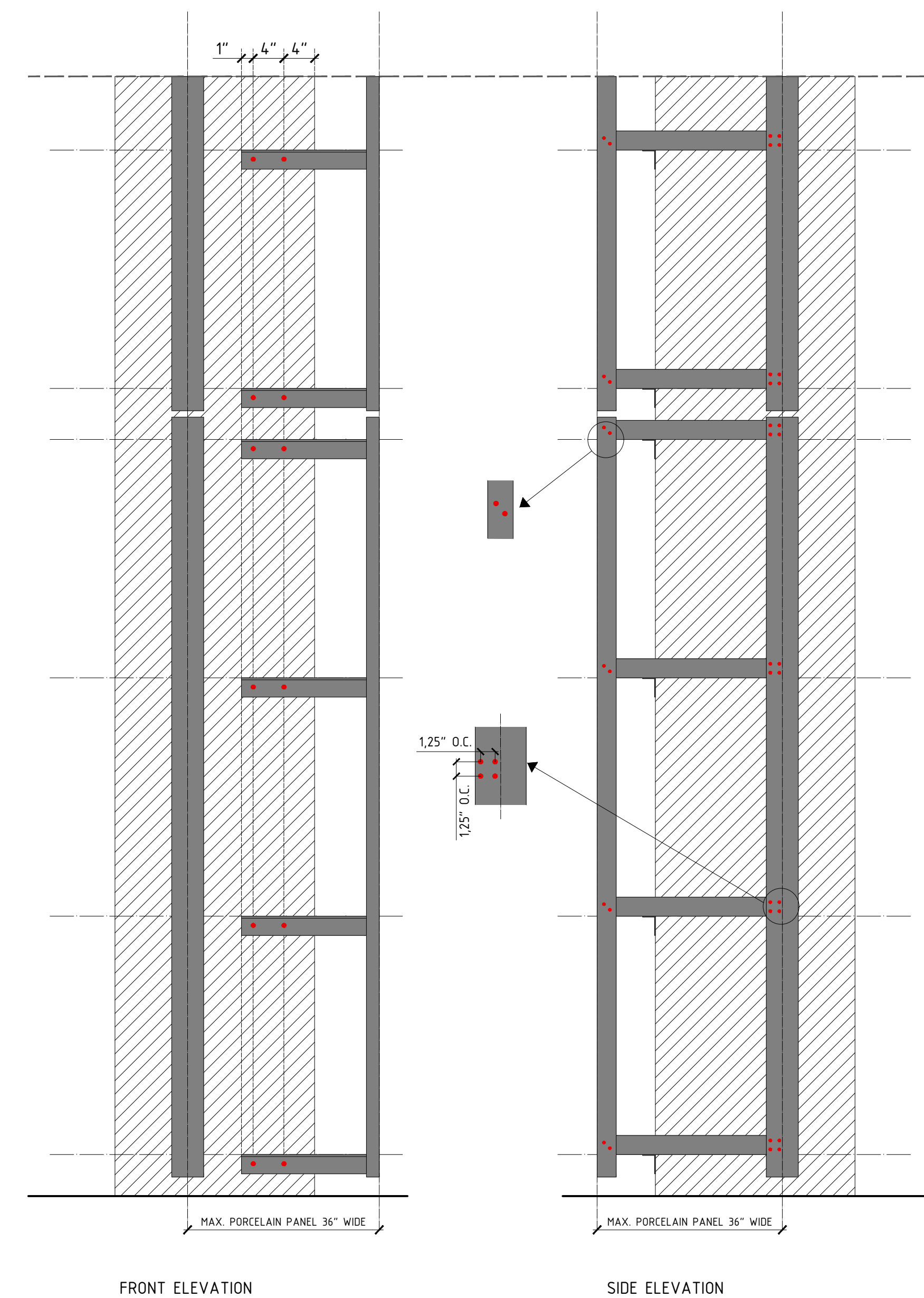
SOLID WALL TYPE 1 CORNER SOLUTION

•RECOMMENDED METHOD FOR FOR LOW RISE BUILDINGS
 •CORNER SOLUTION CAN VARY FROM ORIGINAL SOLUTION FOR EACH PROJECT. PLEASE REFER TO PROJECT SUBSTRUCTURE DRAWINGS. IF NOT NOTED, FOLLOW THIS.



SOLID WALL TYPE 2 CORNER SOLUTION

•RECOMMENDED METHOD FOR HIGH RISE BUILDINGS & FOR SEISMIC ZONES
 •CORNER SOLUTION CAN VARY FROM ORIGINAL SOLUTION FOR EACH PROJECT. PLEASE REFER TO PROJECT SUBSTRUCTURE DRAWINGS. IF NOT NOTED, FOLLOW THIS.



Issue Date	15/03	19/20
------------	-------	-------

Important Note
 THESE DRAWINGS REPRESENT THE APPROVED DESIGN OF THE WORK AND SHOULD NOT BE USED FOR ANY OTHER PROJECTS WITHOUT THE WRITTEN PERMISSION OF PORCELANOSA USA. ANY CHANGES TO THESE DRAWINGS MUST BE APPROVED BY PORCELANOSA USA. PORCELANOSA USA IS NOT RESPONSIBLE FOR ANY DAMAGE OR LOSS OF DATA OR INFORMATION THAT MAY BE CAUSED BY THE USE OF THESE DRAWINGS. PORCELANOSA USA IS NOT RESPONSIBLE FOR ANY DAMAGE OR LOSS OF DATA OR INFORMATION THAT MAY BE CAUSED BY THE USE OF THESE DRAWINGS.

Shop Drawings Review			
Drawn	Checked	Reviewed	Date
A	B	C	

PORCELANOSA USA

Job Title	BANK OF DETAILS
Architect	Status

Drawing Title	TYPICAL DETAILS CORNER SOLUTIONS
Drawn	Checked
JC	W
Scale	NTS

Drawing No.	008
Rev.	A