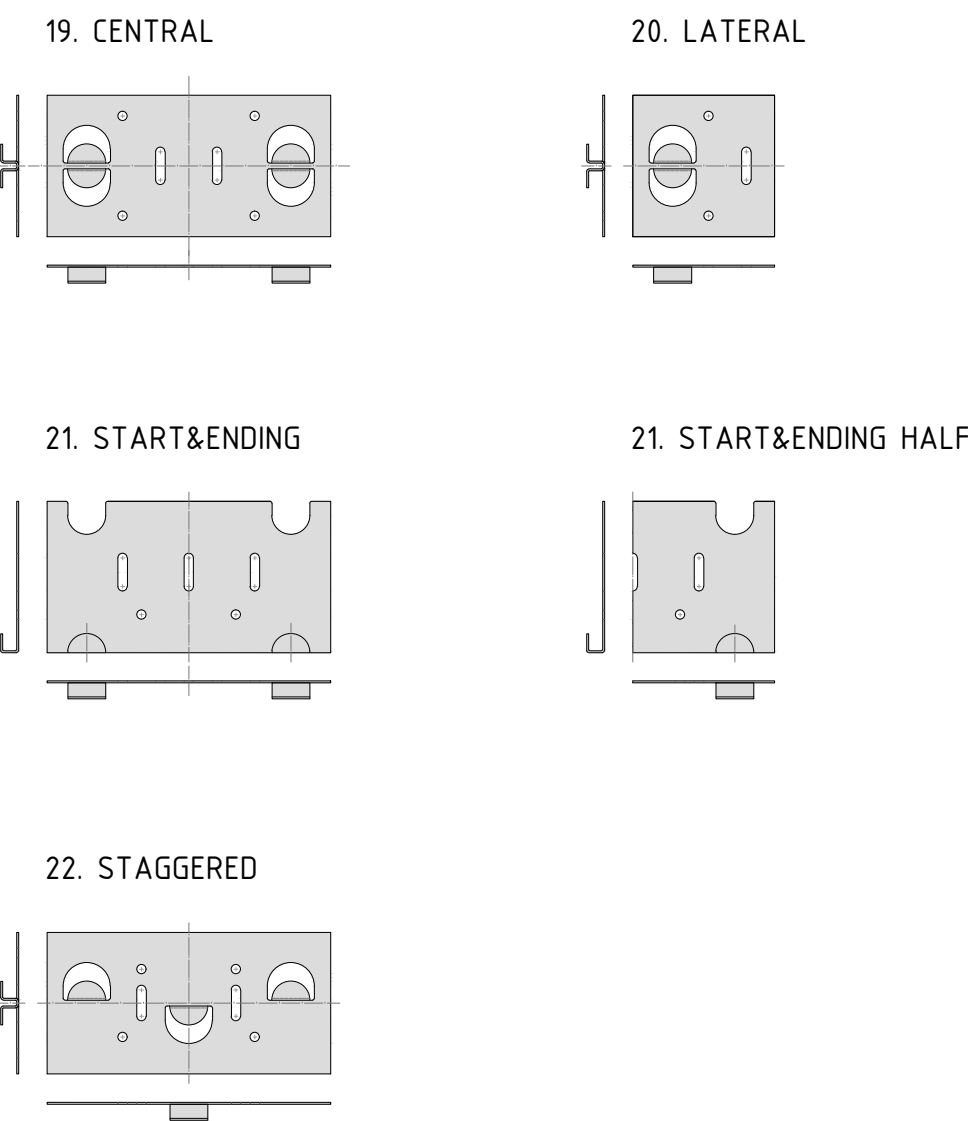


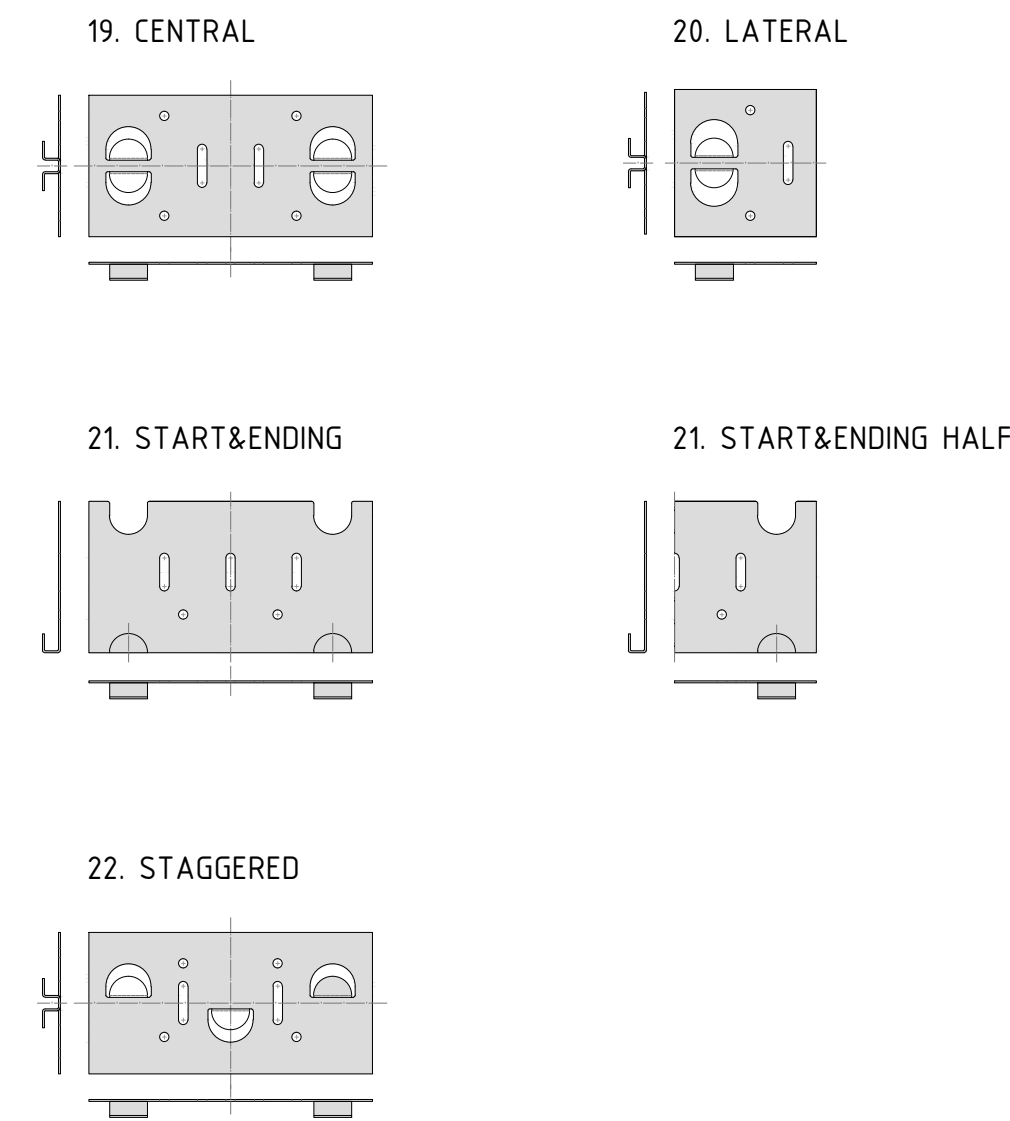
19,20,21. FIXING PLATES

5/8" (5MM) THICK JOINT



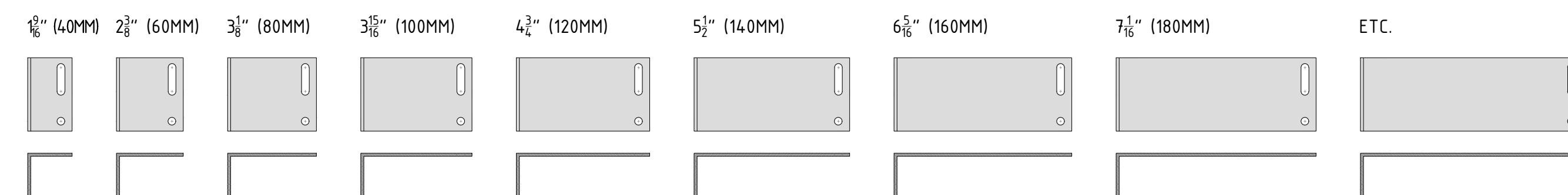
19,20,21. FIXING PLATES

3/8" (8MM) THICK JOINT

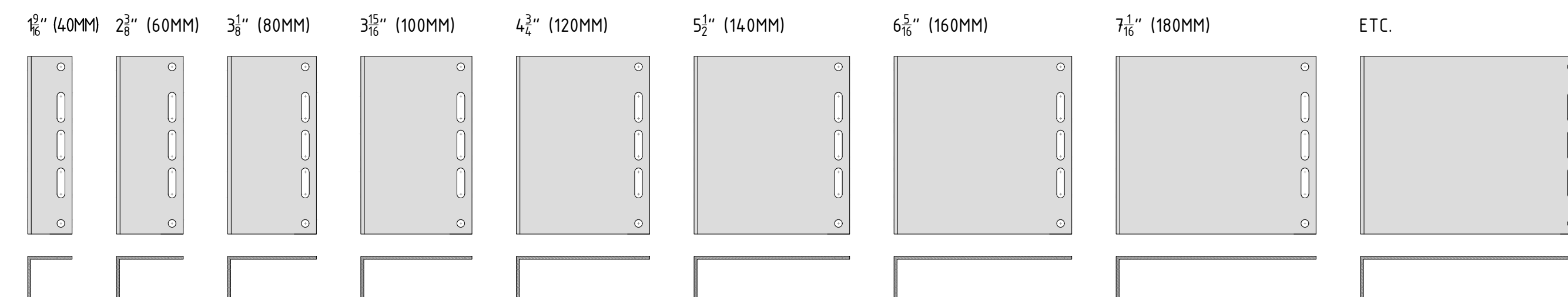


L-BRACKETS

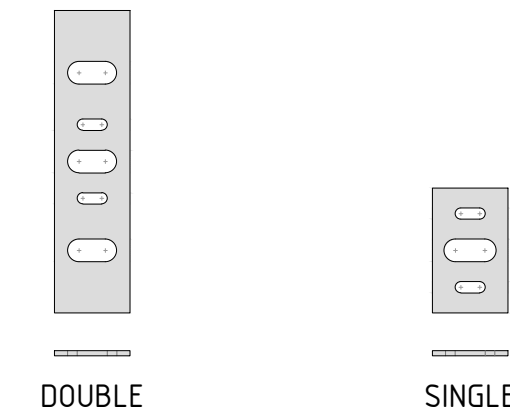
12. SINGLE



13. DOUBLE

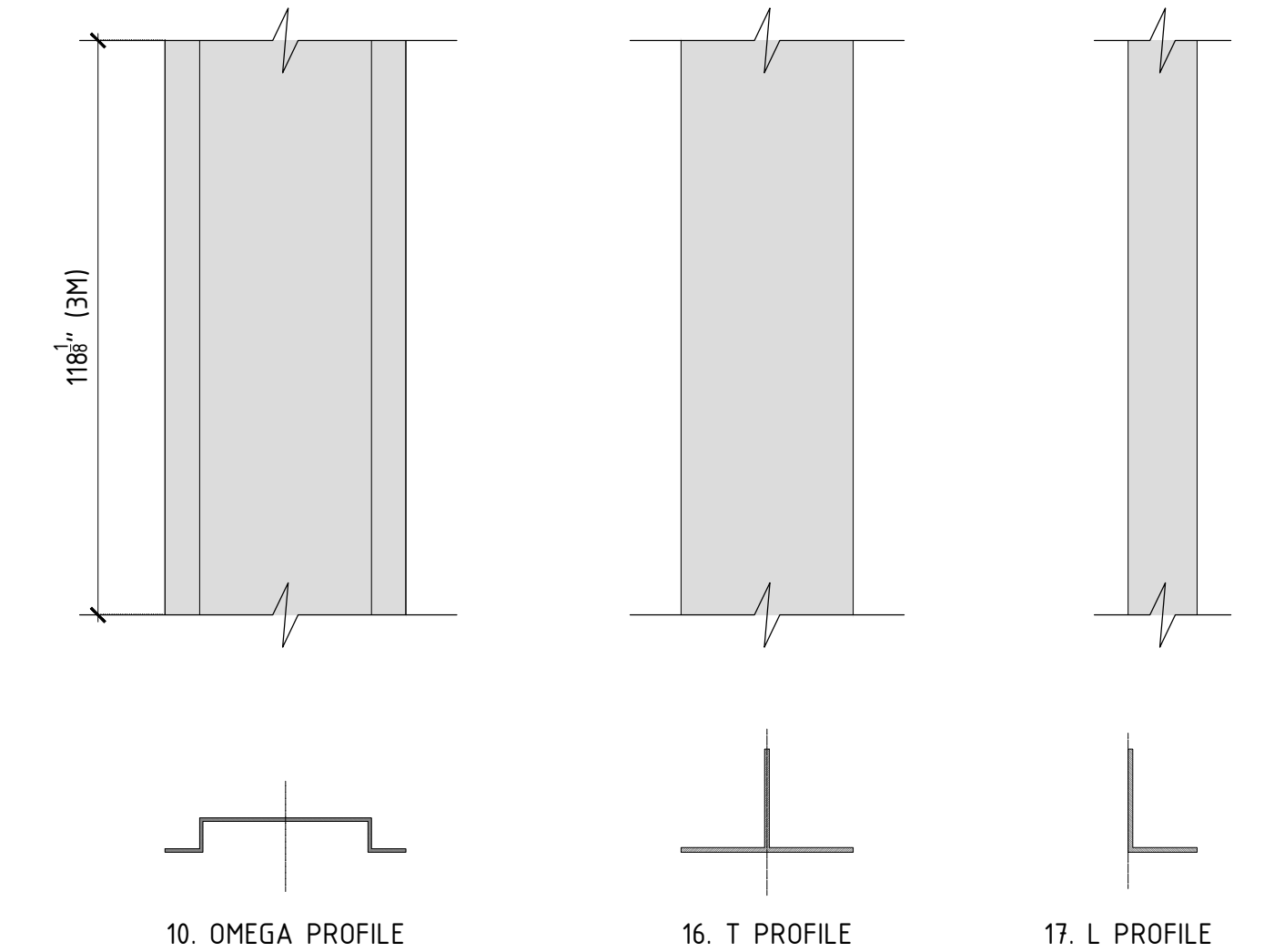


11. THERMAL INSULATOR

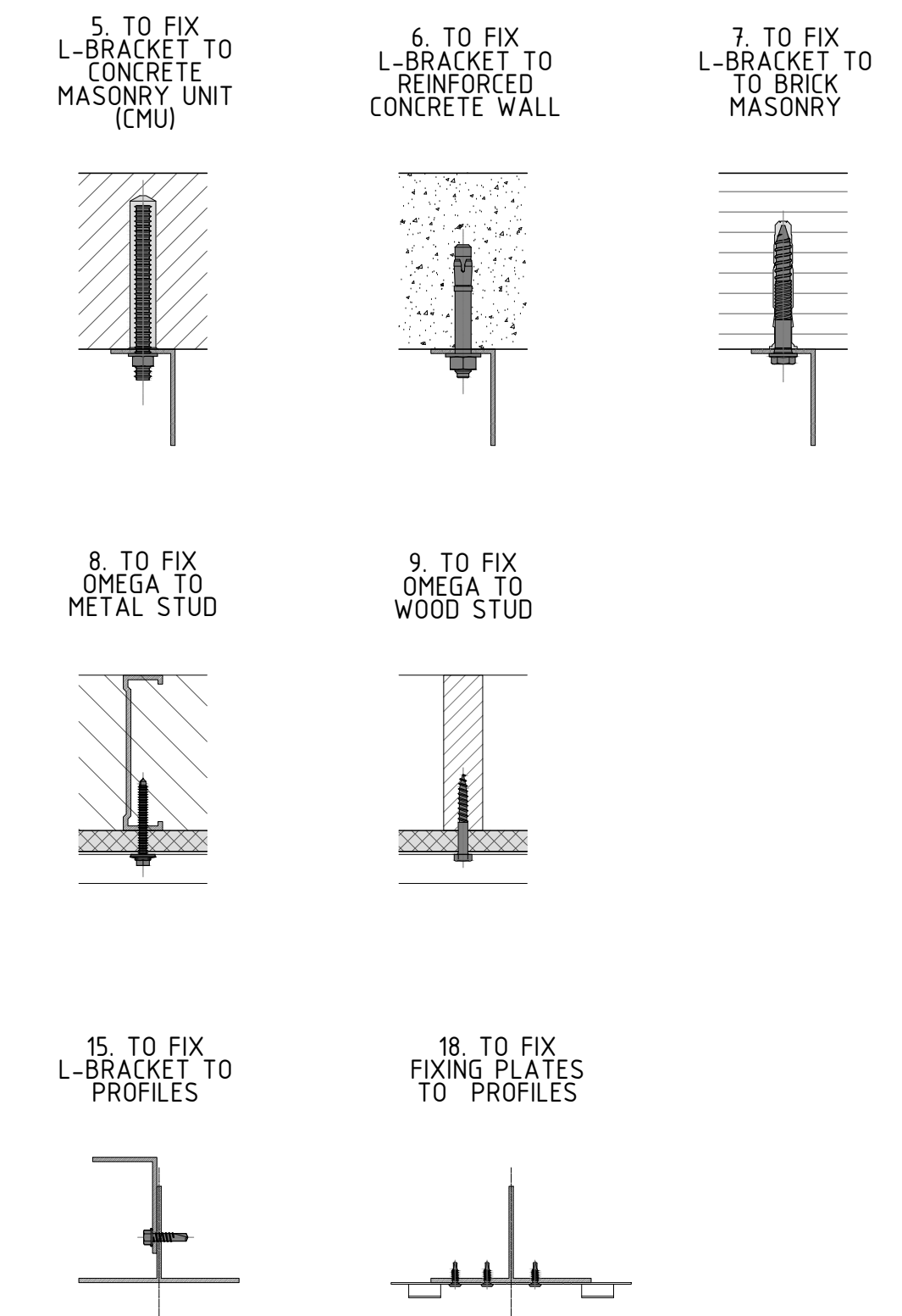


- EXTERIOR STUD WALL: DRY WALL, METAL/WOOD STUDS, SHEATING, BY OTHERS
- EXTERIOR SOLID WALL: CMU/BRICK MASONRY/REINFORCED CONCRETE, BY OTHERS
- DAMP-PROOF COARSE (DPC), BY OTHERS; RECOMMENDED OPTIONS: (1) TREMCO EZO AIR 230 FOR AIR/WATER BARRIER (ROLL/LIQUID APPLIED), (2) HENRY BLUESKIN SA FOR AIR/VAPOR/WATER BARRIER (PEEL&STICK), (3) GRACE ICE AND WATER SHIELD FOR WIND DRIVEN RAIN AND ICE DAMS (PEEL&STICK).
- WINDOW SYSTEM; BY OTHERS
- FOR CMU WALL: HIT-MM PLUS (CHEMICAL ANCHOR), HIT SC M16X85 (SLEEVE) & HIT-V M10x95 (THREADED ROD) STAINLESS/GALVANISED STEEL SCREW
- FOR REINFORCED CONCRETE: HSA-M10 STAINLESS/GALVANISED STEEL SCREW
- FOR BRICK MASONRY: HRD-H-10x80 (ANCHORAGE PLUG) & HRD-H-10x80 (ANCHORAGE BOLT) STAINLESS/GALVANISED STEEL SCREW
- FOR METAL STUD: S-MD555 5.5x50 STAINLESS STEEL SELF DRILLING SCREW
- FOR WOOD STUD: 6x50-DIN 571 STAINLESS STEEL SELF DRILLING SCREW
- ALUMINUM OMEGA PROFILE 20x140MM (3/8"x5 1/2") 3M (118") LONG
- SINGLE/DOUBLE THERMAL ISOLATORS (PLASTIC PAD)
- SINGLE ALUMINUM L-BRACKET; TYP. LENGTH 60MM (2 3/8")
- DOUBLE ALUMINUM L-BRACKET; TYP. LENGTH 60MM (2 3/8")
- THERMAL INSULATION SPECIFICALLY ENGINEERED FOR CAVITY WALL APPLICATIONS; BY OTHERS; RECOMMENDED OPTIONS: (1) ROXUL (CAVITYTRICK DO (STONE WOOL)) IS A DUAL DENSITY INSULATION BOARD WITH A HIGH-DENSITY OUTER LAYER, (2) THERMAX, IS A GLASS-FIBER-REINFORCED POLYISOCYANURATE FOAM CORE FACED WITH THERMOSER-COATED ALUMINUM ON ONE SIDE AND ALUMINUM ON THE OTHER.
- FOR L-BRACKET/PROFILE: LT SELF DRILLING SCREW
- POWDER COATED (BLACK) ALUMINUM T-PROFILE, 100x60x2.7MM (3 9/16"x2 3/8"x 1/8"), 3M (118") LONG
- POWDER COATED (BLACK) ALUMINUM L-PROFILE, 40x60x2.7MM (1 5/8"x2 3/8"x 1/8"), 3M (118") LONG
- FOR FIXING CLIP/PROFILE: STAINLESS STEEL SELF DRILLING SCREW
- INVISIBLE/VISIBLE CENTRAL STAINLESS STEEL FIXING PLATE; TYP. 5MM (3/16") JOINT, ALSO AVAILABLE FOR 8MM (5/16")
- INVISIBLE/VISIBLE LATERAL STAINLESS STEEL FIXING PLATE; TYP. 5MM (3/16") JOINT, ALSO AVAILABLE FOR 8MM (5/16")
- INVISIBLE/VISIBLE START/END FIXING PLATE
- INVISIBLE/VISIBLE STAGGERED STAINLESS STEEL FIXING PLATE; TYP. 5MM (3/16") JOINT, ALSO AVAILABLE FOR 8MM (5/16")
- BLACK POLYURETHANE STRUCTURAL SILICON-P-404
- PORCELAIN TILE, PORCELANOSA, VENIS OR URBATEK COLLECTION.
- ALUMINUM FLASHING; BY OTHERS

PROFILES



ANCHORS & SCREWS



| | | | | | | | | | | | | | | | | | | | | | | | | | | | |
|-------------|--|--|--|-----------------------------------------------------------------------------------------------------------------------------------------------------------------------------------------------------------------------------------------------------------------------------------------------------------------------------------------------|--|--|--|------------------------------------------|--|--|--|----------------------------|--|--|--|--------------------------------|--|--|--|--------------------------------------------------|--|----------|--|-----|--|---|--|
| issue date | | | | important note | | | | shop drawings review | | | | job title | | | | drawing title | | | | drawing no. | | revision | | | | | |
| 15/03 IV/JC | | | | UNDER NO CIRCUMSTANCES SHOULD DIMENSIONS BE SCALED FROM THIS DRAWING. "IF IN DOUBT ASK" COPYRIGHT AND DISTRIBUTION TO THIRD PARTIES PROHIBITED. ALL DIMENSIONS TO BE RECORDED ON-SITE. THIS DRAWING IS TO BE READ IN CONJUNCTION WITH ALL OTHER RELEVANT DRAWINGS. ANY DISCREPANCIES TO BE BROUGHT TO THE ATTENTION OF THE RELEVANT ENGINEER. | | | | drawing reviewed by: | | | | PORCELANOSA USA | | | | BANK OF DETAILS | | | | VENTILATED FAÇADE SYSTEM SUBSTRUCTURE COMPONENTS | | | | 003 | | A | |
| | | | | | | | | status A status B status C date reviewed | | | | architect status reference | | | | drawn JCN checked IV scale NTS | | | | | | | | | | | |