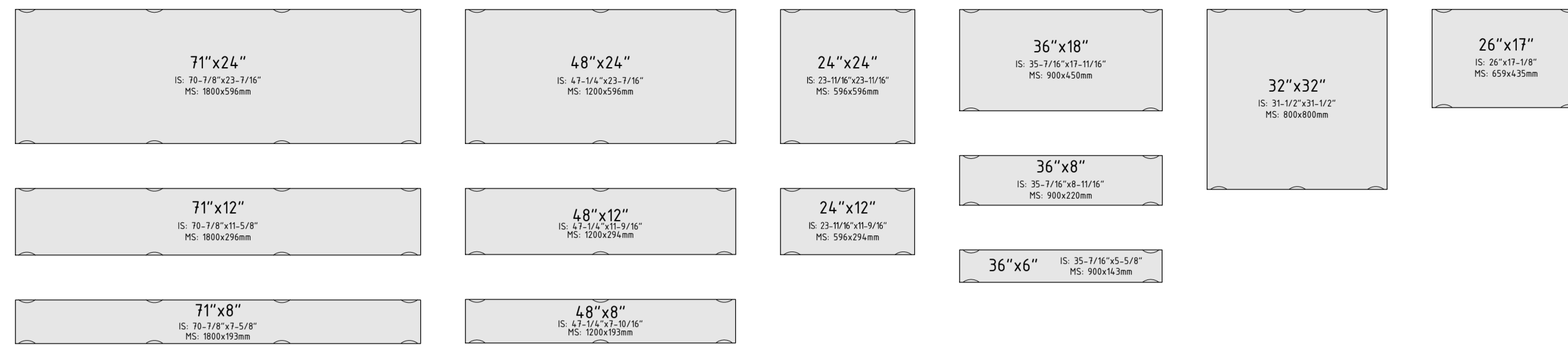
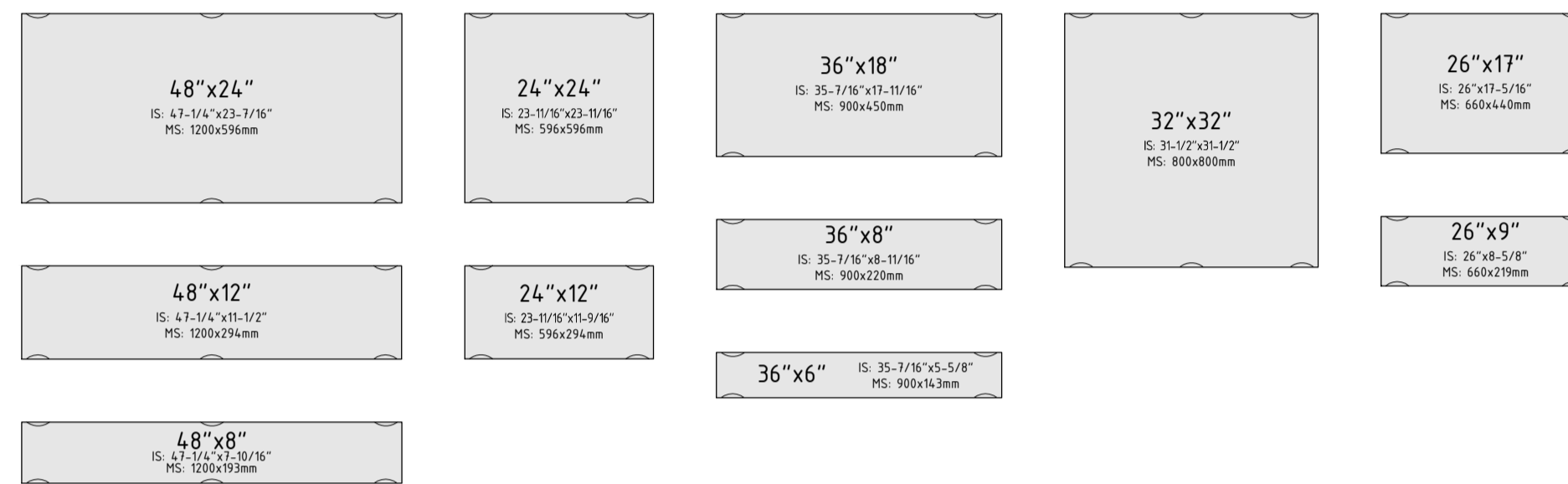


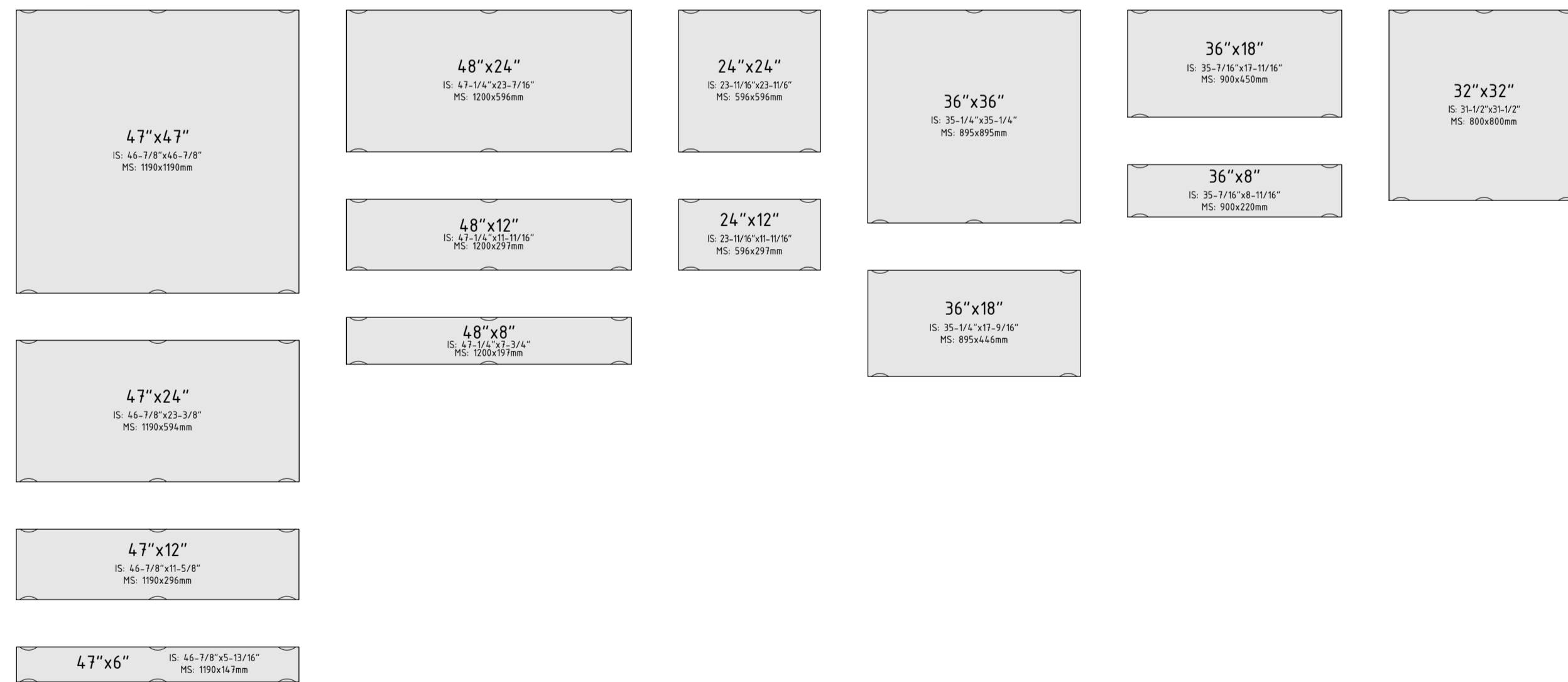
PORCELANOSA Collection: Standard Porcelain Panel Sizes



VENIS Collection: Standard Porcelain Panel Sizes



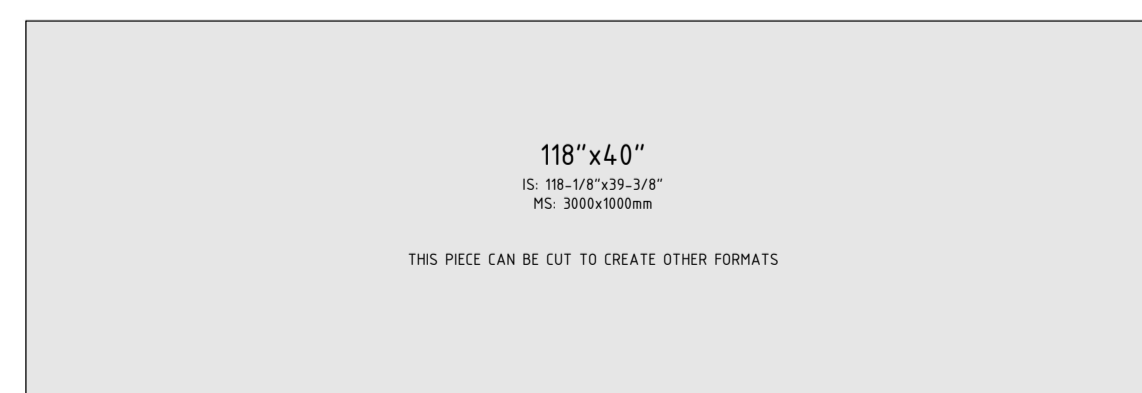
URBATEK Collection: Standard Porcelain Panel Sizes



IMPORTANT NOTES

- STANDARD PRODUCTION: PLEASE CHECK CURRENT CATALOGUE FOR AESTHETIC PANEL OPTIONS AVAILABLE FOR EACH PANEL SIZE.
- SPECIAL PRODUCTION: MINIMUM QUANTITY FOR CUSTOM PORCELAIN PANEL IS 20,000 SQFT; EXCEPT FOR URBATEK COLLECTION 40,000 SQFT.
- ALL PANELS BACKED WITH SAFETY FIBERGLASS MESH.
- ALL PANELS AVAILABLE WITH VISIBLE OR INVISIBLE FIXING SYSTEM; EXCEPT FOR XLIGHT COLLECTION ONLY AVAILABLE WITH VISIBLE FIXING SYSTEM.
- NUMBER OF FIXING POINTS SHOWN REGARDLESS OF ORIENTATION OF PANEL (VERTICAL/HORIZONTAL) OR PANEL LAYOUT.
- ONLY FOR XLIGHT: OTHER PANEL SIZES AVAILABLE AS A RESULT OF TRIMMING THE STANDARD SIZE. REDUCED WASTE FACTOR IS A KEY FACTOR IN THESE CASES EITHER BY OPTIMIZING THE PROJECT PANEL SIZE OR BY REUSING CUT PIECES.

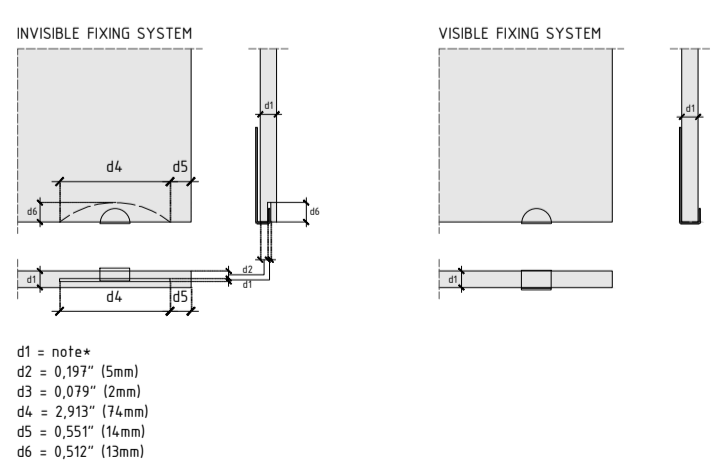
XLIGHT Collection: Standard Porcelain Panel Sizes



MM	INCHES	PORCELANOSA	VENIS	URBATEK	XLIGHT
3000x1000	118x40	-	-	-	X
1800x596	71x24	X	-	-	-
1800x296	71x12	X	-	-	-
1800x193	71x8	X	-	-	-
1190x1190	47x47	-	-	X	-
1190x596	47x24	-	-	X	-
1190x296	47x12	-	-	X	-
1190x143	47x6	-	-	X	-
1200x596	48x24	X	X	X	-
1200x297	48x12	-	-	X	-
1200x296	48x12	X	X	-	-
1200x197	48x8	-	-	X	-
1200x193	48x8	X	X	-	-
900x450	36x18	X	X	X	-
900x220	36x8	X	X	X	-
900x143	36x6	X	X	-	-
895x895	36x36	-	-	X	-
895x445	36x18	-	-	X	-
800x800	32x32	X	X	X	-
660x440	26x17	-	X	-	-
660x270	26x9	-	X	-	-
659x435	26x17	X	-	-	-
596x596	24x24	X	X	X	-
596x297	24x12	-	-	X	-

MM	INCHES	PORCELANOSA	VENIS	URBATEK	XLIGHT	
					N	P
3000x1000	118x40	-	-	-	3.5	5
1800x596	71x24	12	-	-	-	-
1800x296	71x12	12	-	-	-	-
1800x193	71x8	12	-	-	-	-
1190x1190	47x47	-	-	12	12	12
1190x596	47x24	-	-	12	12	12
1190x296	47x12	-	-	12	12	12
1190x143	47x6	-	-	12	12	12
1200x596	48x24	12	11.5	11	11	-
1200x297	48x12	-	-	11	11	-
1200x296	48x12	12	10.5	-	-	-
1200x197	48x8	-	-	11	11	-
1200x193	48x8	12	10.5	-	-	-
900x450	36x18	11	10.5	11	11	-
900x220	36x8	11	10.5	10.4	-	-
900x143	36x6	11	10.5	-	-	-
895x895	36x36	-	-	11	11	-
895x445	36x18	-	-	11	11	-
800x800	32x32	12	11.5	11	-	-
660x440	26x17	-	10.1	-	-	-
660x270	26x9	-	10.1	-	-	-
659x435	26x17	11	-	-	-	-
596x596	24x24	11	10.5	12	12	-
596x297	24x12	-	-	12	12	-

MM	INCHES (ROUNDED)	INCHES (ROUNDED)	INCHES (DECIMAL (ROUNDED))
1800	71	70'-7/8"	70.88
1200	48	47'-5/4"	47.24
1190	47	46'-3/8"	46.85
1000	40	39'-3/8"	39.38
900	36	35'-7/16"	35.43
895	36	35'-1/4"	35.24
800	32	31'-1/2"	31.50
660	26	26"	25.98
659	26	26"	25.94
600	24	23'-5/8"	23.63
596	24	23'-7/16"	23.44
594	24	23'-3/8"	23.38
450	18	17'-3/4"	17.72
446	18	17'-9/16"	17.56
440	17	17'-5/16"	17.32
435	17	17'-1/8"	17.13
297	12	11'-11/16"	11.69
296	12	11'-5/8"	11.63
294	12	11'-1/2"	11.57
220	8	8'-1/16"	8.06
219	8	8'-5/8"	8.62
197	8	7'-3/4"	7.75
193	8	7'-10/16"	7.60
147	6	5'-10/16"	5.81
143	6	5'-5/8"	5.63



issue date				important note				shop drawings review				drawing title				drawing no.				revision											
A 15/02 IV/JC				UNLESS INDICATED OTHERWISE, DIMENSIONS BE SCALED FROM THIS DRAWING. "IF IN DOUBT ASK" COPYRIGHT AND DISTRIBUTION TO THIRD PARTIES PROHIBITED. ALL DIMENSIONS TO BE RE-CHECKED ON-SITE. THIS DRAWING IS TO BE READ IN CONJUNCTION WITH ALL OTHER RELEVANT DRAWINGS. ANY DISCREPANCIES TO BE BROUGHT TO THE ATTENTION OF THE RELEVANT ENGINEER.				drawing reviewed by:				PORCELANOSA				BANK OF DETAILS				PORCELAIN CLADDING RAINSCREEN FAÇADE SYSTEM PORCELAIN PANEL SIZES				001				B			
B 16/06 IV/JC								status A status B status C date reviewed				architect				status reference				drawn JVC checked IV scale NTS											