

# LINKING SERIES

## Linking SLC810 50x40



### Description

500 x 400 x 35 mm sink base. Made of stainless steel.  
Designed to be combined with Krion® plates in the available colors (\*).



96 Units. / Pallet

#### Colours



\* See Technical Note on Krion® colours for ones that can be used with Linking sink bases.

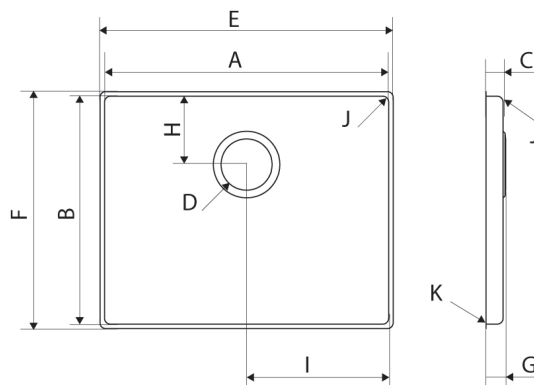


### Technical characteristics

- ▶ Sink base in stainless steel.
- ▶ Made of a 1,2mm-thick SS304 steel sheet.
- ▶ Easy to clean and care for.
- ▶ Resistant to stains and chemical products.
- ▶ Edge ready to be bonded with Krion® sheets.
- ▶ Does not include overflow or drain.

### Observations

- ▶ Dimensions subject to manufacturing tolerances.
- ▶ Semi-finished product requiring fabrication.
- ▶ Read all the specific available documents carefully (manuals and technical notes) relating to the stainless steel sinks and sink bases.
- ▶ See [Fabricator's Manual](#) for further information about the fabrication and handling process.
- ▶ [Technical Sheet on Care, Cleaning and Use](#) is available.
- ▶ Sale conditions stipulated in the Supply Specification.



A	B	C	D	E	F	G
500 mm	400 mm	35 mm	Ø 90 mm	516 mm	416 mm	41 mm
19 11/16"	15 3/4"	1 3/8"	3 35/64"	20 5/16"	16 3/8"	1 39/64"
H	I	J	K			
120 mm	250 mm	r 10 mm	r 3 mm			
4 23/32"	9 27/32"	0 25/64"	0 1/8"			

### Accessories



(\*\*) Available accessories for all the colours in the collection.

See the [Technical Note on Drains-Drain Traps](#) for all the options.



**KRION®** PORCELANOSA  
SOLID SURFACE

[www.krion.com/bim/es/productos/lavabos](http://www.krion.com/bim/es/productos/lavabos)



Legal notice: The images, texts and data are the property of SYSTEM-POOL, S.A., with registered offices at Carretera Vila-real – Puebla de Arenosa (CV-20), 12.540 Vila-real (Castellón). The express written consent of SYSTEM-POOL, S.A., shall be required for the partial or total use or disclosure of the said material. SYSTEM-POOL, S.A., holds sole rights over all forms of use of the said material and, in particular, the right to its reproduction, distribution, public communication and transformation. All the said material is protected by intellectual property laws and any undue use may result in penalties, even of a criminal kind.