

LINKING SERIES

Linking SLC809 34x40



Description

340 x 400 x 35 mm sink base. Made of stainless steel.
Designed to be combined with Krion® plates in the available colors (*).



108 Units. / Pallet

Colours

-  Inox Satin · *Satin stainless steel **
-  Antracita · *Anthracite **
-  Oro · *Gold **
-  Cobre · *Copper **

* See Technical Note on Krion® colours for ones that can be used with Linking sink bases.

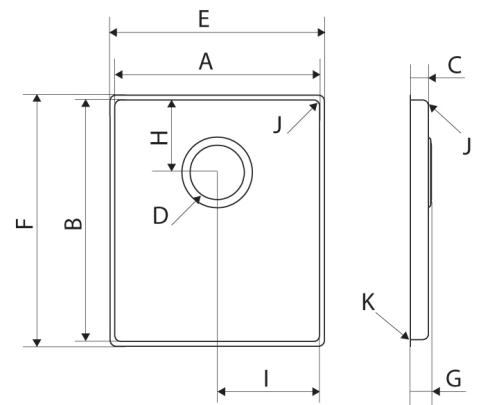


Technical characteristics

- ▶ Sink base in stainless steel.
- ▶ Made of a 1,2mm-thick SS304 steel sheet.
- ▶ Easy to clean and care for.
- ▶ Resistant to stains and chemical products.
- ▶ Edge ready to be bonded with Krion® sheets.
- ▶ Does not include overflow or drain.

Observations

- ▶ Dimensions subject to manufacturing tolerances.
- ▶ Semi-finished product requiring fabrication.
- ▶ Read all the specific available documents carefully (manuals and technical notes) relating to the stainless steel sinks and sink bases.
- ▶ See [Fabricator's Manual](#) for further information about the fabrication and handling process.
- ▶ [Technical Sheet on Care, Cleaning and Use](#) is available.
- ▶ Sale conditions stipulated in the Supply Specification.



A	B	C	D	E	F	G
340 mm	400 mm	35 mm	Ø 90 mm	356 mm	416 mm	41 mm
13 25/64"	15 3/4"	1 3/8"	3 35/64"	14 1/64"	16 3/8"	1 39/64"
H	I	J	K			
120 mm	170 mm	r 10 mm	r 3 mm			
4 23/32"	6 11/16"	0 25/64"	0 1/8"			

Accessories



Kitchen valve with overflow



Kitchen valve with overflow KRION®



Kitchen valve with overflow



ABS slotted overflow adapter



Kitchen drain without overflow (**)



Simple kitchen syphon



Drain cover (**)



Flat Drainer Rack Inox (**)






Dish Drainer Rack Inox (**)



Colander (**)

(**) Available accessories for all the colours in the collection.

-  Inox Satin · *Satin stainless steel*
-  Antracita · *Anthracite*
-  Oro · *Gold*
-  Cobre · *Copper*

See the [Technical Note on Drains-Drain Traps](#) for all the options.

KRION® PORCELANOSA SOLID SURFACE

www.krion.com/bim/es/productos/lavabos



Legal notice: The images, texts and data are the property of SYSTEM-POOL, S.A., with registered offices at Carretera Vila-real – Puebla de Arenosa (CV-20), 12.540 Vila-real (Castellón). The express written consent of SYSTEM-POOL, S.A., shall be required for the partial or total use or disclosure of the said material. SYSTEM-POOL, S.A., holds sole rights over all forms of use of the said material and, in particular, the right to its reproduction, distribution, public communication and transformation. All the said material is protected by intellectual property laws and any undue use may result in penalties, even of a criminal kind.